

**\*\*KEEP AN EYE OUT FOR THESE BOXES THROUGHOUT THIS REPORT. IT EXPLAINS SOME OF THE IMPORTANT FEATURES & BENEFITS FOR YOU\*\***

# Roof Wizard

Especially suited to metal roofing.



## Sample Reports

1. Quotation Form
2. Quotation Letter
3. Quotation Acceptance
4. Quotation Details
5. Roofing Pay Summary
6. Quotation Cutting List
7. Order Form
8. Tax Invoice
9. Roof Drawing
10. Flashing Drawing
11. Block Layout

  
appli-cad  
Australia

# Applicad Roofing

123 Church St  
 Hawthorn  
 03 9819 3100  
 03 9819 3200  
 Note 2  
 ACN: Note 1

YOUR COMPANY LOGO

Date 17 September 2002

Job No

<b>Customer</b>	<b>Address</b>	<b>Site address</b>
Phone		
Mobile		
Fax		
		<b>Builder name</b>
		Phone

	<p><b>Roof Pitch</b> 25.0  <b>Height</b> 2700  <b>Rafter CTS</b> 600  <b>Eaves</b> 450  <b>Gable Finish</b></p> <p><b>For the supply and installation of</b></p> <p><b>Roof</b>              Corrugated 0.42, Galvanised</p> <p><b>Ridge</b>              BHP Ridge capping, Merino</p> <p><b>Fascia</b>              Metal fascia, Stone</p> <p><b>Gutter</b>              O Gee Gutter, Smooth Cream</p> <p><b>Valley</b>              Not included</p> <p><b>Barge</b>              Rake flashing, Smooth Cream</p> <p><b>Batten</b>              Not included</p> <p><b>Insulation</b>              Not included</p> <p><b>Downpipes</b>              Not included</p> <p><b>Curved Roof</b>              Not included</p>		
<table border="1" style="float: right; border-collapse: collapse;"> <tr> <td style="padding: 2px 10px;"><b>TOTAL</b></td> <td style="padding: 2px 10px;"><b>1193.56</b></td> </tr> </table>		<b>TOTAL</b>	<b>1193.56</b>
<b>TOTAL</b>	<b>1193.56</b>		

ALL FORMS ARE BASED ON USER DEFINED TEMPLATES - TO SUIT YOUR NEEDS.

**PLEASE READ THESE TERMS AND CONDITIONS**

This estimate is based on the roof described by the plan and specifications set out above and it is the customers responsibility to ensure, when accepting the estimate that the plans and specifications set out above conform with the customers requirements as any variation from such plan and/or specifications shall entitle us to vary the price on the basis of such variation.

This estimate will lapse on the expiration of thirty (30) days from the above date.

**Special Notes**

# Appicad Roofing

123 Church St

Hawthorn

Phone 03 9819 3100

Fax 03 9819 3200

ACN: Note 1

Note 2

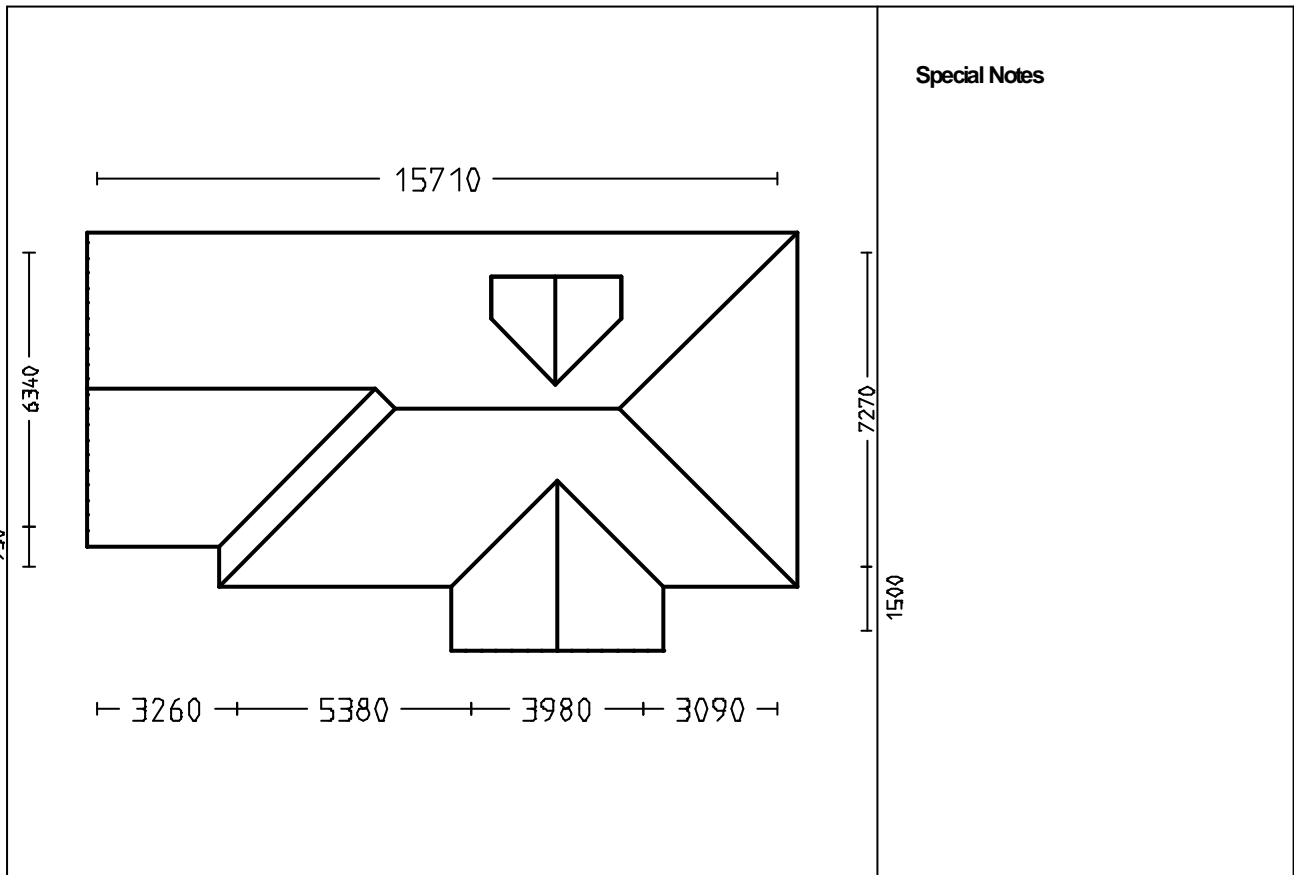


17 September 2002

Dear sir,

We have pleasure in submitting our quotation for the carrying out of the following works at

ALL ROOF DETAILS ARE  
AUTOMATICALLY PRINTED OUT  
WITH YOUR COMPANY LOGO AT  
THE TOP



**Total quoted price : 1193.56**

No allowance for fall protection guards if applicable

Assuring you of our best service at all times !!

This quotation is valid for a period of sixty (60) days from the date hereof. Our terms of trade are net cash 30 days from our completion of our contract with you.

Yours faithfully,

**Appicad Roofing**

# Applicad Roofing

123 Church St  
Hawthorn  
03 9819 3100  
03 9819 3200  
Note 2  
ACN: Note 1

Date 17 September 2002

Job No

Customer

Address

Site address

Phone  
Mobile  
Fax

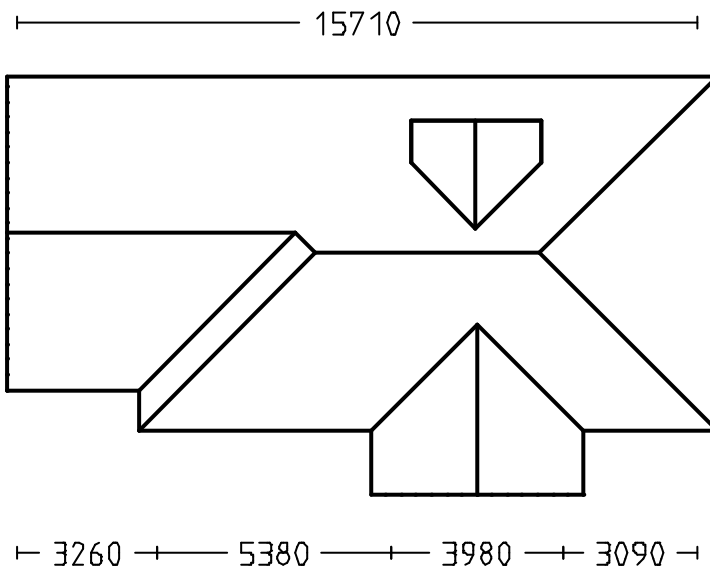
Builder name  
Phone

Roof Pitch 25.0  
Height 2700  
Rafter CTS 600  
Eaves 450  
Gable Finish

### For the supply and installation of

**Roof**  
Corrugated 0.42, Galvanised  
**Ridge**  
BHP Ridge capping, Merino  
**Fascia**  
Metal fascia, Stone  
**Gutter**  
O Gee Gutter, Smooth Cream  
**Valley**  
Not included  
**Barge**  
Rake flashing, Smooth Cream  
**Batten**  
Not included  
**Insulation**  
Not included  
**Downpipes**  
Not included  
**Curved Roof**  
Not included

**TOTAL 1193.56**



### PLEASE READ THESE TERMS AND CONDITIONS

This estimate is based on the roof described by the plan and specifications set out above and it is the customers responsibility to ensure, when accepting the estimate that the plans and specifications set out above conform with the customers requirements as any variation from such plan and/or specifications shall entitle us to vary the price on the basis of such variation.

This estimate will lapse on the expiration of thirty (30) days from the above date.

### Special Notes

**A CLEAR & CONCISE QUOTATION OF WHAT IS BEING INSTALLED. INCLUDING AN ACCEPTANCE OF THE JOB FOR THE CUSTOMER TO SIGN OFF ON.**

**ACCEPTANCE : I wish to advise of acceptance of your quote and of terms and conditions**

Name

Signature

Date

# Applicad Roofing

## Quotation Details

17 September 2002

ACN: Note 1

123 Church St  
Hawthorn  
03 9819 3100  
03 9819 3200

A DISCOUNT CAN BE APPLIED FOR EACH ITEM THAT IS TO BE INSTALLED ON THE ROOF

Job number  
Order number  
Delivery date

17 September 2002

Category	Item description	Qty	Rate	Subtotal	Disc	Total
Cartage	Cartage	0.00	0.12	0.00	0	0.00
Straight roofing	BHP, BHP-2,Corrugated 0.42, Galvanised	169.06	2.00	338.11	0	338.11
Ridge	BHP, BHPRC1,BHP Ridge capping, Merino	37.22	2.00	74.44	0	74.44
Fascia	BHP, FBHT42CTL--,Metal fascia, Stone	58.67	1.00	58.67	0	58.67
Gutter	BHP, OG60--,O Gee Gutter, Smooth Cream	41.95	1.00	41.95	0	41.95
Barge	BHP, CBVCTL--,Rake flashing, Smooth Cream	16.72	2.00	33.44	0	33.44
Accessories	BHP, FB-1,Fascia bracket,Stone	47.00	1.00	47.00	0	47.00
	BHP, SC-1,Snap clip,Stone	47.00	1.00	47.00	0	47.00
	BHP, EB-1,External bracket,Smooth Cream	47.00	1.00	47.00	0	47.00
	BHP, EXCNR-90,External corner 90,Smooth Cream	3.00	1.00	3.00	0	3.00
	BHP, INTCNR-90,Internal Corner 90,Smooth Cream	3.00	1.00	3.00	0	3.00
	BHP, SE-L,Stop end left,Smooth Cream	4.00	1.00	4.00	0	4.00
	BHP, SE-R,Stop end right,Smooth Cream	8.00	1.00	8.00	0	8.00
Fasteners	BHP, BHFP1265HT17,12x65,Hex Head type 17,Galvanised	1015.00	0.01	10.15	0	10.15
	BHP, BHFP1265HT17,12x65,Hex Head type 17,Merino	19.00	0.01	0.19	0	0.19
	BHP, BHFP1265HT17,12x65,Hex Head type 17,Stone	30.00	0.01	0.30	0	0.30
	BHP, BHFP1265HT17,12x65,Hex Head type 17,Smooth Cream	38.00	0.01	0.38	0	0.38

Material sub total	716.63	
Material mark up	10.00	
Material total		788.30
Labour sub total	264.96	
Labour mark up	12.00	
Labour total		296.76
Job total		1085.06

### THIS REPORT IS AUTOMATICALLY GENERATED

All accessories (e.g. fascia brackets, snap-clips etc) are automatically included in the quotation. The price for each accessory item including any fasteners to secure the accessory to the roof is automatically costed and accounted for.

\*NOTHING IS FORGOTTEN FROM THE QUOTE\*

# Applicad Roofing

# Roofing Pay Summary

17 September 2002

ACN: Note 1

123 Church St  
Hawthorn  
03 9819 3100  
03 9819 3200

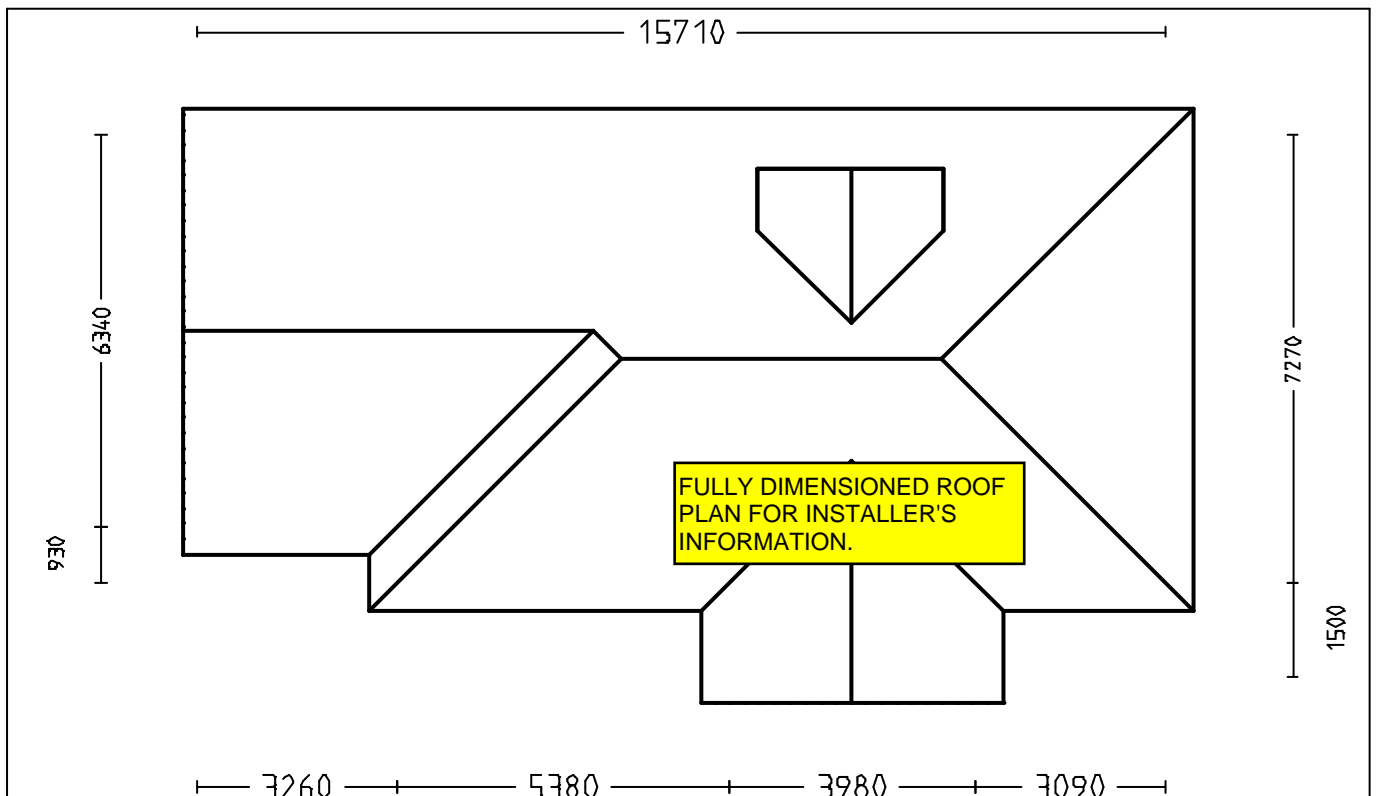
**ROOFING PAY SUMMARY/INSTALLER SUMMARY:**  
TO BE USED BY THE SITE FOREMAN/INSTALLER  
THIS REPORT GIVES THE QTY OF MATERIAL  
DELIVERED TO THE SITE AND THE RATE THAT  
MATERIAL COSTS TO INSTALL.

**Contractor**  
**Builder**  
**Site Address**

Item description	Qty	Rate	Total	Item description	Qty	Rate	Total
Straight roofing [BHP-2] sqm	152.47	1.00	152.47	Roof removal	0.00	2.00	0.00
Insulation sqm	0.00	1.00	0.00	Gutter removal	0.00	5.00	0.00
Ridges/Hips m	37.19	1.00	37.19	Siding removal	0.00	2.00	0.00
Valley m	0.00	1.00	0.00	Trim removal	0.00	5.00	0.00
Fascia only m	0.00	1.00	0.00	User lengths	0.00	1.00	0.00
Gutter only m	0.00	1.00	0.00	Pitch allowance	1.00	0.00	0.00
Fascia as Barge m	16.68	1.00	16.68	External cnr m	0.00	0.00	0.00
Fascia and gutter m	41.94	1.00	41.94	Internal cnr m	0.00	0.00	0.00
Barge m	16.68	1.00	16.68	Window sill m	0.00	0.00	0.00
Apron/Step m	0.00	1.00	0.00	Window head m	0.00	0.00	0.00
Chimneys ea	0.00	1.00	0.00	Window edge m	0.00	0.00	0.00
Box gutter m	0.00	1.00	0.00	Door edge m	0.00	0.00	0.00
Battens m	0.00	1.00	0.00	Door head m	0.00	0.00	0.00
DownPipes ea	0.00	7.00	0.00				

264.96

**\*SMART TIP\***  
THE SOFTWARE LOOKS AT WHAT STOREY ROOF YOU ARE ESTIMATING AND TAKES INTO ACCOUNT THE PITCH/SLOPE OF THE ROOF WHEN CALCULATING WHAT TO CHARGE FOR THE INSTALLATION.



# Applicad Roofing

# Quotation Cutting List

17 September 2002

ACN: Note 1

123 Church St  
Hawthorn  
03 9819 3100  
03 9819 3200

Job number  
Order number  
Delivery date

17 September 2002

Category	Item description	Qty
Straight	Corrugated 0.42, Galvanised 32/4812, 13/4299, 4/2997	169.06
Ridge	BHP Ridge capping, Merino 1/6630, 3/6090, 1/5180, 1/3940, 1/2500, 1/700	37.22
Fascia	Metal fascia, Stone 3/8180, 1/5380, 1/3090, 1/3010, 2/1500, 2/1000, 1/930, 2/4000, 2/2700, 2/1660	58.67
Gutter	O Gee Gutter, Smooth Cream 3/8180, 1/5380, 1/3090, 1/3010, 2/1500, 2/1000, 1/930	41.95
Barge	Rake flashing, Smooth Cream 2/4000, 2/2700, 2/1660	16.72

**HOW TO READ:**  
e.g. 3/8180  
indicates 3 lengths to be cut  
at 8180 long. This is taking into  
account your lap-allowance etc.  
Rounding is done to the nearest  
10/100mm.

## QUOTATION CUTTING LIST

WHEN GENERATING THE QUOTATION CUTTING LIST THE SOFTWARE TAKES INTO ACCOUNT THE RUN ALLOWANCE AND LAP ALLOWANCE ON EACH FLASHING AS PER YOUR SETTINGS. FROM THIS THE SOFTWARE AUTOMATICALLY CREATES THE CUTTING DETAILS FOR THE FLASHINGS. HAVING A RUN ALLOWANCE ON FLASHINGS, FOR EXAMPLE GUTTERING, ALLOWS ADDITIONAL MATERIAL FOR THE INSTALLER TO FABRICATE THE ENDS AND CORNERS.

# Applicad Roofing

Note 2

Note 1

Phone 03 9819 3100  
 Fax 03 9819 3200

123 Church St  
 Hawthorn

Purchase Order - 1

Date 17 September 2002

Job

Site

FOR EACH SUPPLIER ON THE 'QUOTATION DETAILS FORM' AN ORDER FORM IS AUTOMATICALLY GENERATED.

Please supply the following in good order and condition :

Delivery Date

17 September 2002

ITEM	QTY	PRICE
Straight Roofing : BHP, BHP-2, Corrugated 0.42, Galvanised	169.06	
Ridge Flashing : BHP, BHPRC1, BHP Ridge capping, Merino 1/6630, 3/6090, 1/5180, 1/3940, 1/2500, 1/700	37.22	
Fascia : BHP, FBHT42CTL--, Metal fascia, Stone 3/8180, 1/5380, 1/3090, 1/3010, 2/1500, 2/1000		
Gutter : BHP, OG60--, O Gee Gutter, Smooth Cream 3/8180, 1/5380, 1/3090, 1/3010, 2/1500, 2/1000, 1/930		
Barge : BHP, CBVCTL--, Rake flashing, Smooth Cream 2/4000, 2/2700, 2/1660	16.72	
Accessory : BHP, FB-1, Fascia bracket, Stone	47.00	
Accessory : BHP, SC-1, Snap clip, Stone	47.00	
Accessory : BHP, EB-1, External bracket, Smooth Cream	47.00	
Accessory : BHP, EXCNR-90, External corner 90, Smooth Cream	3.00	
Accessory : BHP, INTCNR-90, Internal Corner 90, Smooth Cream	3.00	
Accessory : BHP, SE-L, Stop end left, Smooth Cream	4.00	
Accessory : BHP, SE-R, Stop end right, Smooth Cream	8.00	
Fasteners : BHP, BHFP1265HT17, 12x65, Hex Head type 17, Galvanised	1015.00	
Fasteners : BHP, BHFP1265HT17, 12x65, Hex Head type 17, Merino	19.00	
Fasteners : BHP, BHFP1265HT17, 12x65, Hex Head type 17, Stone	30.00	
Fasteners : BHP, BHFP1265HT17, 12x65, Hex Head type 17, Smooth Cream	38.00	

SICK OF ORDERING YOUR MATERIALS MANUALLY? FIND YOURSELF RUNNING OUT OF STOCK EVERY NOW AND THEN? THIS IS THE EXACT AMOUNT THAT IS REQUIRED FOR YOUR ROOF.

ACCESSORY ITEMS:  
 CLIPS, FASTENERS, BRACKETS  
 \*ALL AUTOMATICALLY REPORTED\*

# Tax Invoice

***Applicad Roofing***

**ABN:** 777-777-777-777

123 Church St  
Hawthorn

Date: 17 September 2002

To:

Site :

Qty	Description	Total
1	For the supply of materials.	\$1193.56
<b>Total Price Includes GST</b>		\$1193.56

# Applicad Roofing

123 Church St

Phone

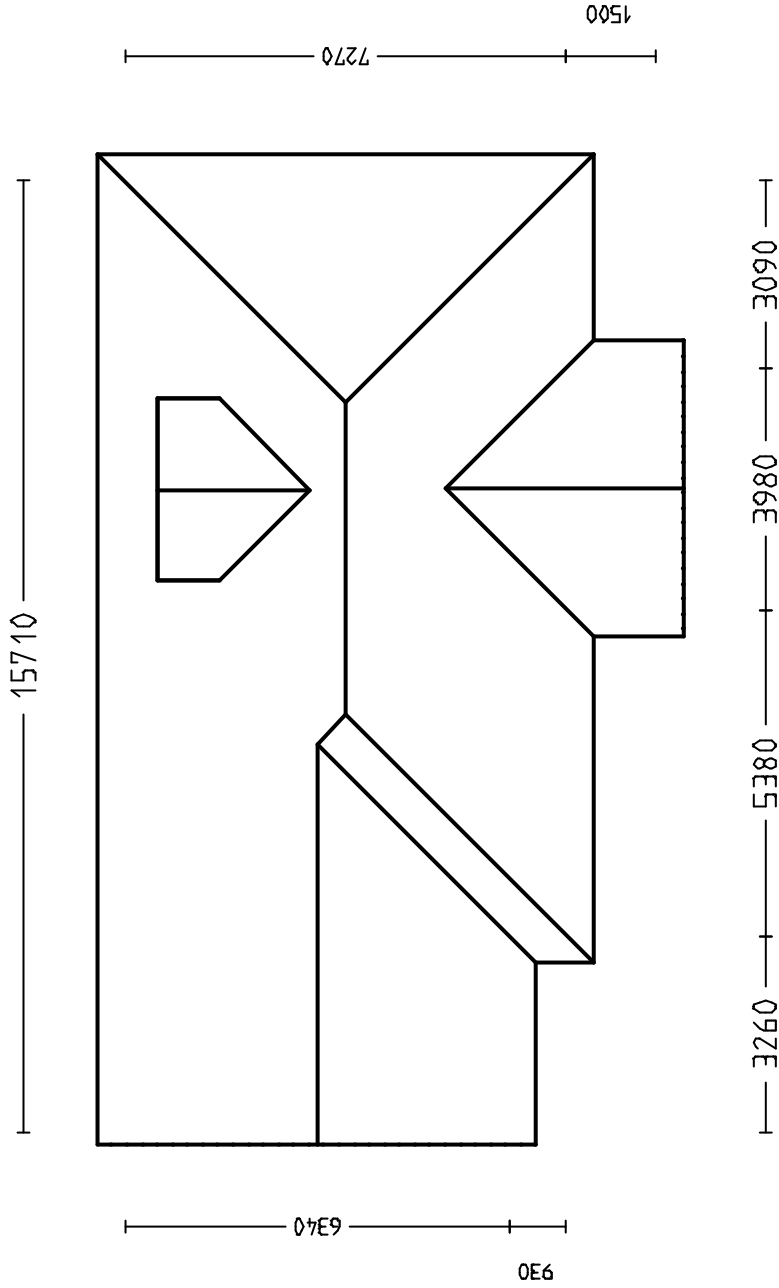
03 9819 3100

Hawthorn

Fax

03 9819 3200

GENERAL ROOF PLAN SHOWING ALL DIMENSIONS



### Roof details

Roof Pitch	25.0
Height	2700
Rafter CTS	600
Eaves	450

### Roof Plan

#### Site address

Job

Date 17 September 2002

Scale 1 : 125

Source: File - MeenITru.DAB Model - .mcd



# Applicad Roofing

123 Church St

Phone

03 9819 3100

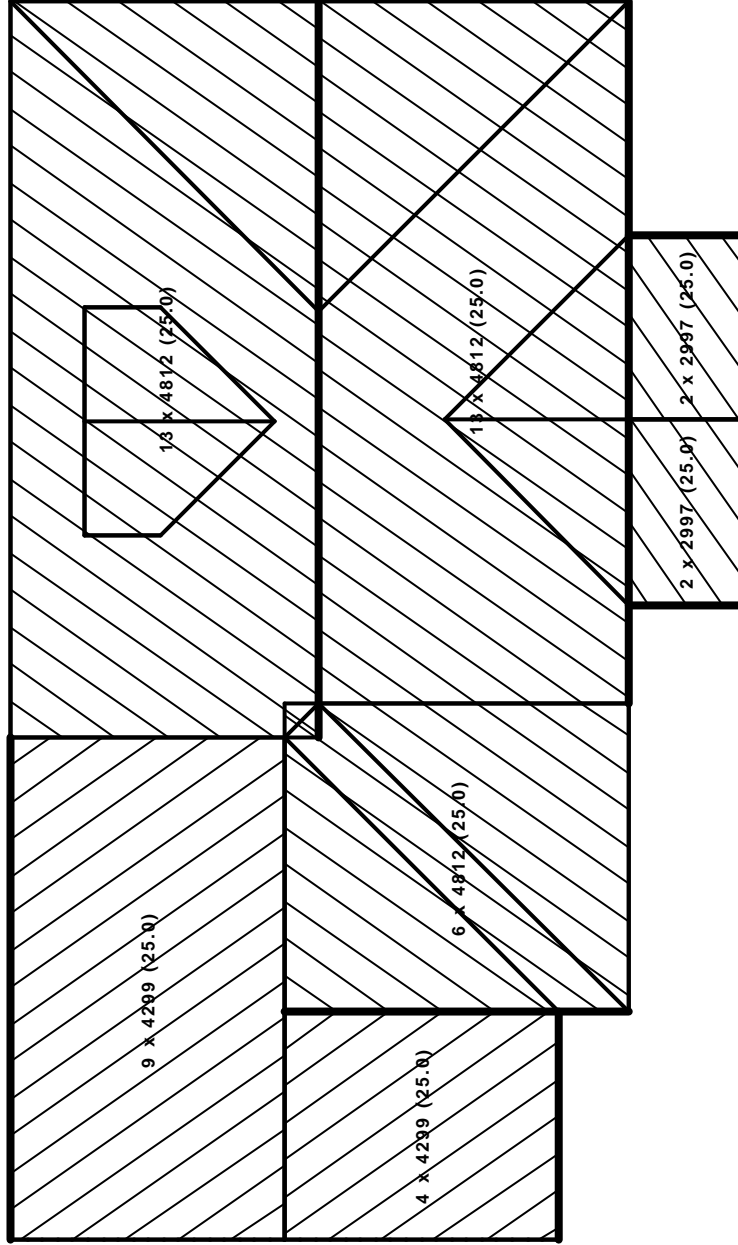
Hawthorn

Fax

03 9819 3200

BLOCKING PLAN  
SHOWS THE NUMBER, POSITION AND LENGTHS OF  
SHEETS BEING INSTALLED ON THE ROOF.

BHP, Corrugated 0.42, Galvanised  
32 / 4812 13 / 4299 4 / 2997



32/4812  
32 SHEETS CUT AT 4812

### Roof details

Roof Pitch	25.0
Height	2700
Rafter CTS	600
Eaves	450

### Block Plan

#### Site address

Job

Date 17 September 2002

Scale 1 : 100