

Low slope
Steep slope
Re-roof
New roof
Residential
Commercial
Industrial
Metal
Shingles
Tiles
Slate
BUR
Single ply
Low slope
Steep slope
Re-roof
New roof
Residential
Commercial
Industrial
Metal
Shingles
Tiles
Slate
BUR
Single ply
Low slope
Steep slope
Re-roof
New roof
Residential
Commercial

AppliCad

Australia, UK

Sample Reports



Linear Nesting Reports

1. Roof Drawing
2. Sheet Layout Drawing
3. Sheet Cutting List
4. Sheet Cutting Details(Page 1 of 3)
5. Sheet Cutting Details(Page 2 of 3)
6. Sheet Cutting Details(Page 3 of 3)
7. Panel Sequence(Page 1 of 2)
8. Panel Sequence(Page 2 of 2)

Roofs R Us

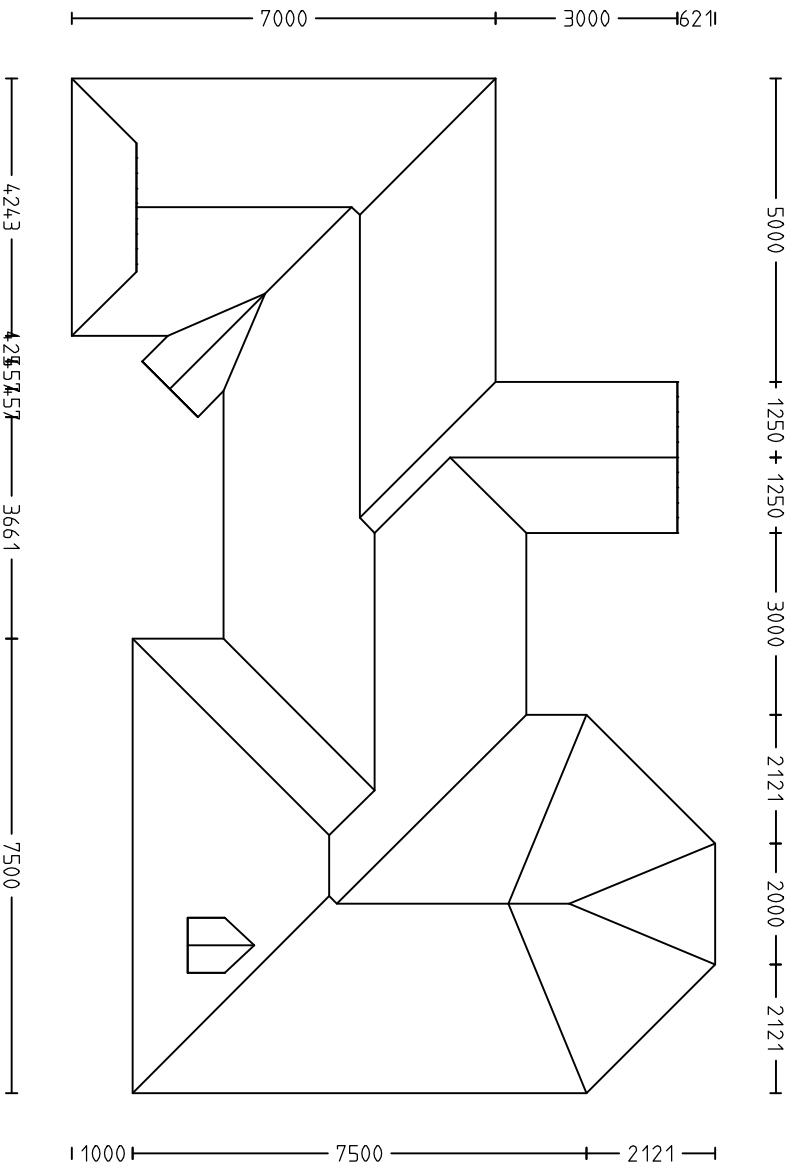
357 Magnum Drive

Phone

03 9524 8217

Fax

03 9524 2468



Roof details	
Roof Pitch	25.0
Height	2800
Rafter CTS	600
Eaves	0

Roof Plan	
Job	561
Date	18 July 2000
Scale	1 : 125

Site address	13 Bellview Road Chinton 3431
---------------------	----------------------------------

Roofs R Us

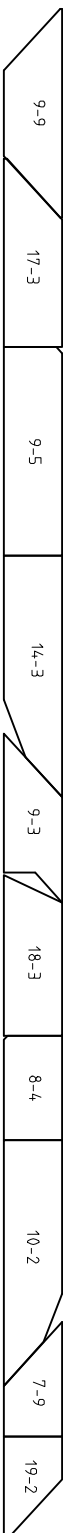
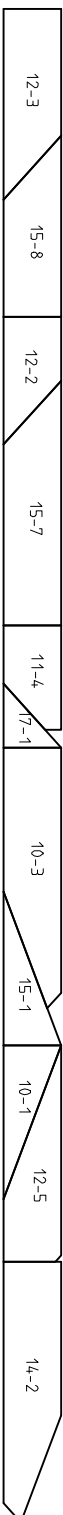
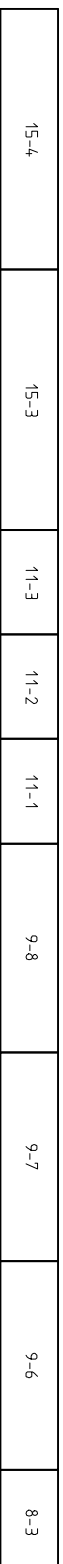
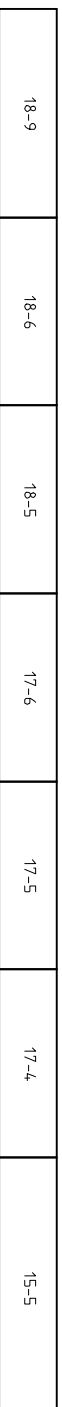
357 Magnum Drive

Phone

03 9524 8217

Fax

03 9524 2468



Panel sequence

Page 1 of 2

Job 561

Date 18 July 2000

Scale 1 : 100

Site address

13 Bellview Road

Chinton 3431

Roofs R US

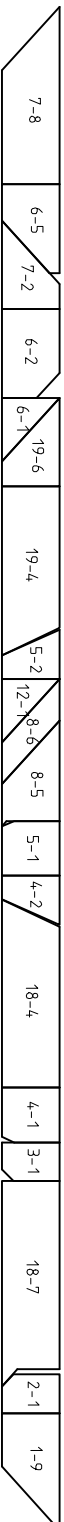
357 Magnum Drive

Phone

03 9524 8217

Fax

03 9524 2468



Panel sequence

Page 2 of 2

Job 561

Site address
13 Bellview Road
Chinton 3431

Date 18 July 2000

Scale 1 : 100

Roofs R Us

Sheet Cutting Details

ACN:

Page 2 of 3

357 Magnum Drive

Contractor

We Install

03 9524 8217

Builder

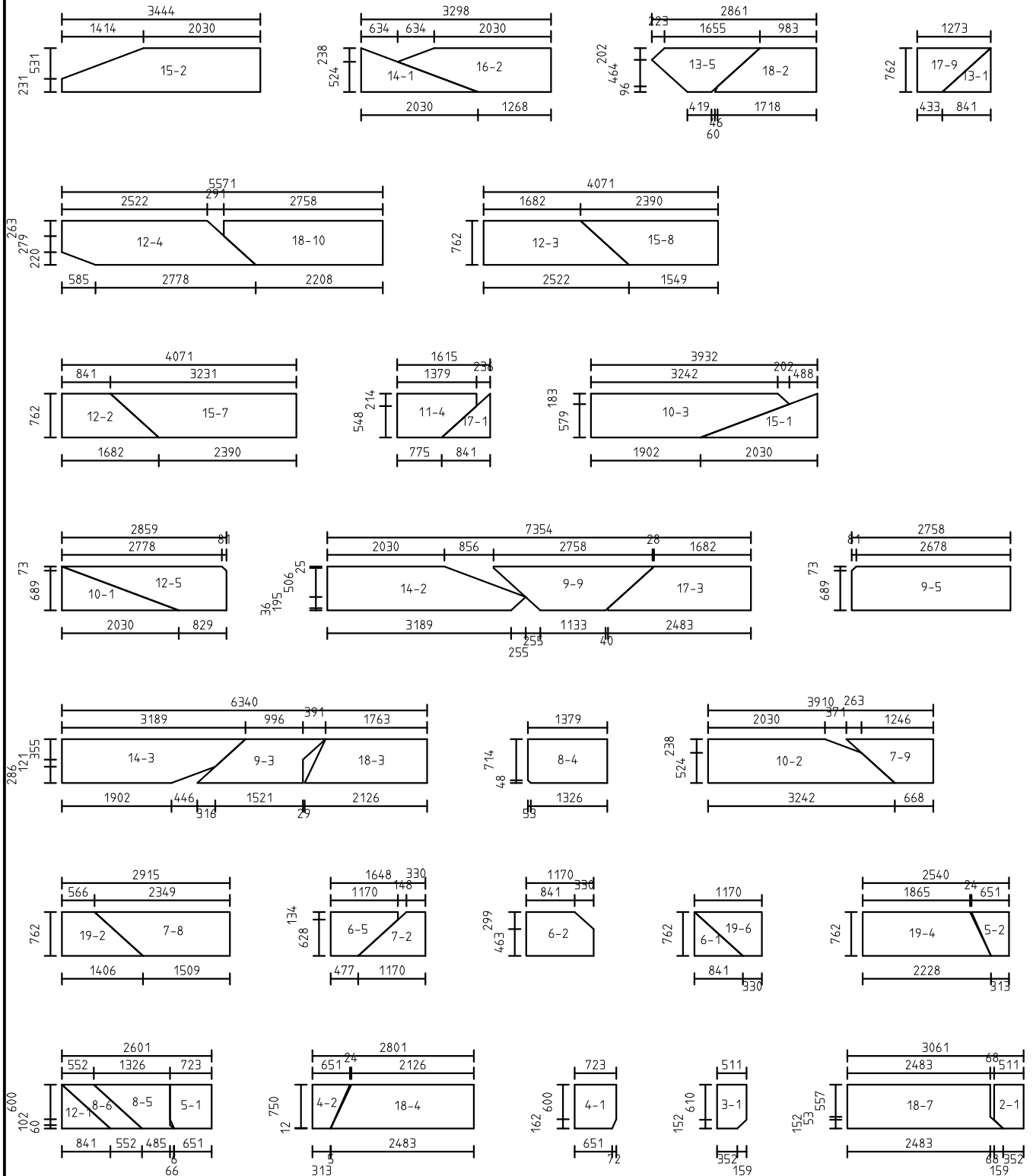
Builders Inc.

03 9524 2468

Site Address

13 Bellview Road

Chinton 3431



Roofs R Us

Sheet Cutting Details

ACN:

Page 3 of 3

357 Magnum Drive

Contractor

We Install

03 9524 8217

Builder

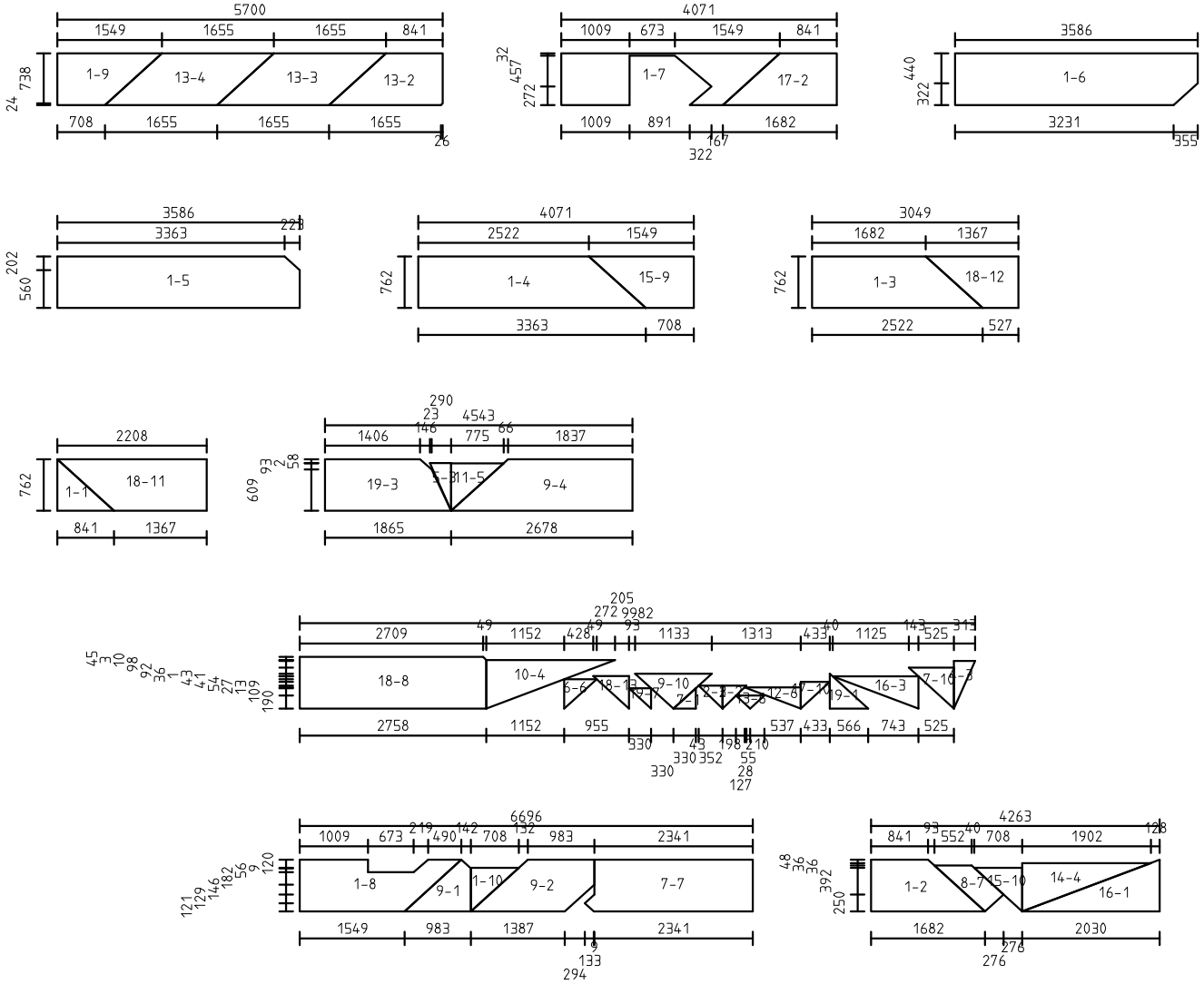
Builders Inc.

03 9524 2468

Site Address

13 Bellview Road

Chinton 3431



Roofs R Us

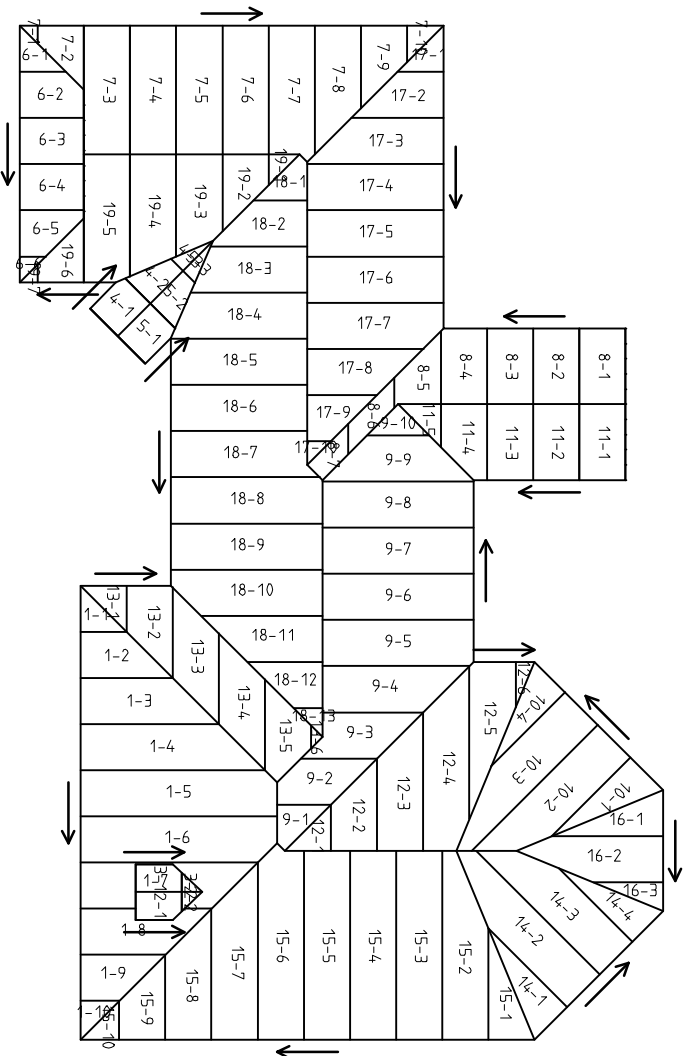
3577 Magnum Drive

Phone

03 9524 8217

Fax

03 9524 2468



Panel Layout

Job 561
Date 18 July 2000
Scale 1 : 125

Site address

13 Bellview Road
Chinton 3431

Roof details

Roof Pitch 25.0
Height 2800
Rafter CTS 600
Eaves 0

Roofs R Us

357 Magnum Drive

Phone

03 9524 8217

Fax

03 9524 2468

Code	Length	Code	Length	Code	Length	Code	Length	Code	Length	Code	Length
1-1	841	9-8	2758	17-10	433						
1-2	1682	9-9	2758	18-1	983						
1-3	2522	9-10	1133	18-2	1763						
1-4	3363	10-1	2030	18-3	2126						
1-5	3586	10-2	3242	18-4	2483						
1-6	3586	10-3	3444	18-5	2483						
1-7	3231	10-4	1902	18-6	2483						
1-8	2390	11-1	1379	18-7	2709						
1-9	1549	11-2	1379	18-8	2758						
1-10	708	11-3	1379	18-9	2758						
2-1	511	11-4	1379	18-10	2758						
2-2	352	11-5	775	18-11	2208						
3-1	511	12-1	841	18-12	1367						
3-2	352	12-2	1682	18-13	527						
4-1	723	12-3	2522	19-1	566						
4-2	651	12-4	3363	19-2	1406						
4-3	313	12-5	2859	19-3	1865						
5-1	723	12-6	829	19-4	2228						
5-2	651	13-1	841	19-5	2341						
5-3	313	13-2	1682	19-6	1170						
6-1	841	13-3	2496	19-7	330						
6-2	1170	13-4	2496								
6-3	1170	13-5	1878								
6-4	1170	13-6	419								
6-5	1170	14-1	2030								
6-6	477	14-2	3444								
7-1	330	14-3	3189								
7-2	1170	14-4	1902								
7-3	2341	15-1	2030								
7-4	2341	15-2	3444								
7-5	2341	15-3	3444								
7-6	2341	15-4	3444								
7-7	2483	15-5	3444								
7-8	2349	15-6	3586								
7-9	1509	15-7	3231								
7-10	668	15-8	2390								
8-1	1379	15-9	1549								
8-2	1379	15-10	708								
8-3	1379	16-1	2030								
8-4	1379	16-2	2664								
8-5	1392	16-3	1268								
8-6	1392	17-1	841								
8-7	1024	17-2	1682								
9-1	983	17-3	2483								
9-2	1824	17-4	2483								
9-3	2228	17-5	2483								
9-4	2678	17-6	2483								
9-5	2758	17-7	2483								
9-6	2758	17-8	2114								
9-7	2758	17-9	1273								

Roof Wizard File : newlinear2.dab Model : new

Sheet list		Roof details	
Job	561	Roof Pitch	25.0
Date	18 July 2000	Height	2800
Scale	1 : 125	Rafter CTS	600
		Eaves	0